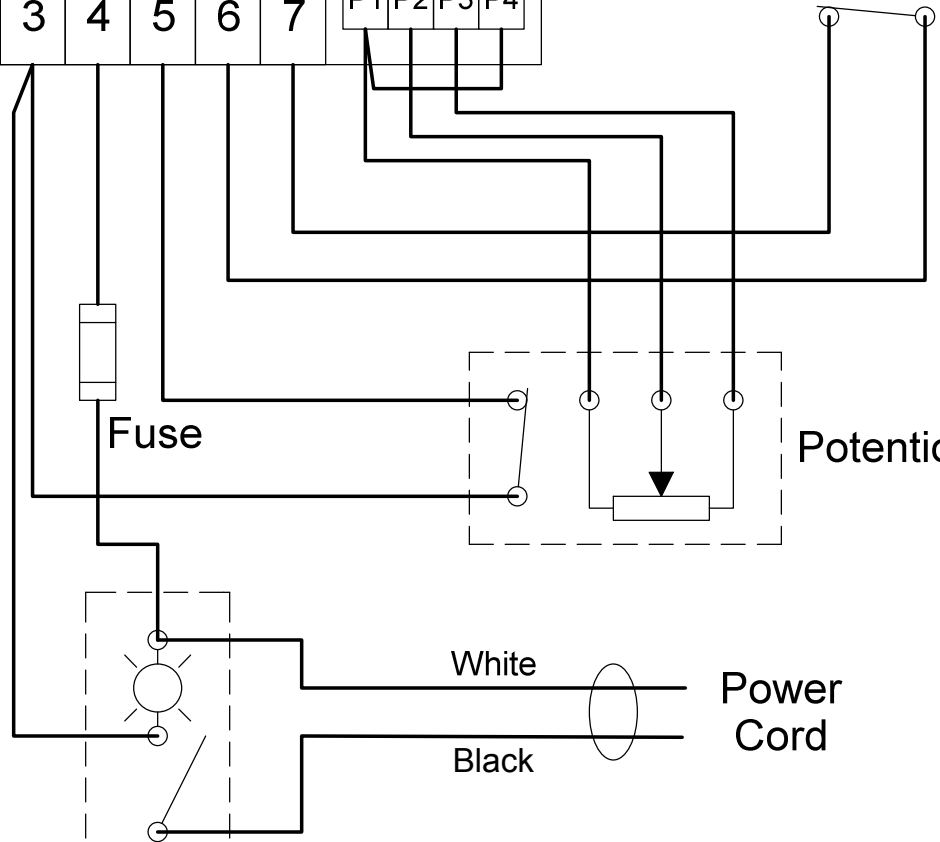
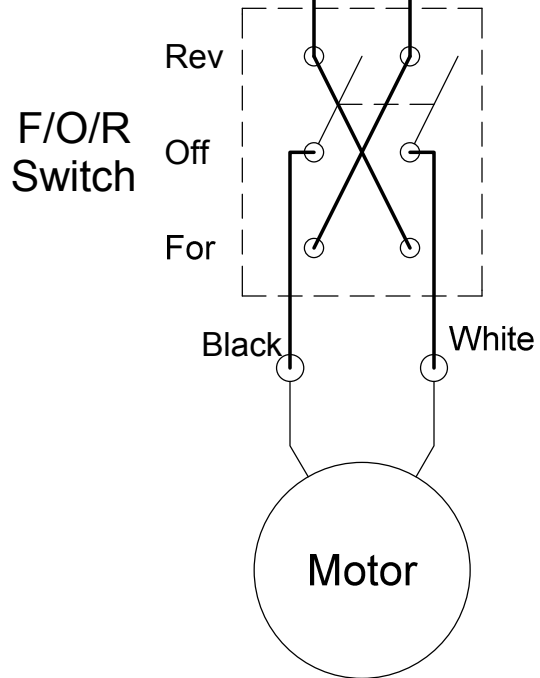
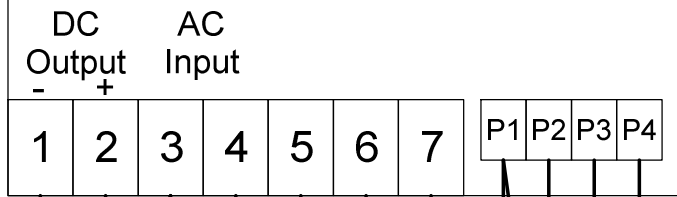


Wiring diagram for HF 7x10 & 7x12 mini lathe with illuminated rocker power switch and safety interlock circuit.

### FC250BJ/110V Controller



Safety Switch

Potentiometer

Fuse

Power Switch

Power Cord

**LittleMachineShop.com**

© 2005 LittleMachineShop.com. All rights reserved.

Wiring Diagram, Mini Lathe

Revision 0

3156

Sheet 1 of 1